

# BLÜCHER® BALL VALVE

## INSTALLATION INSTRUCTIONS

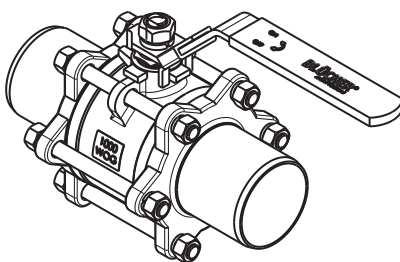
876.xxx.xxx



1

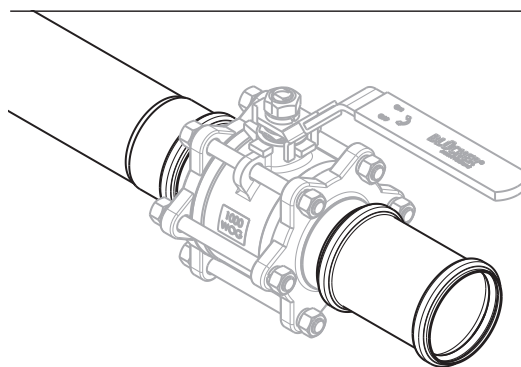
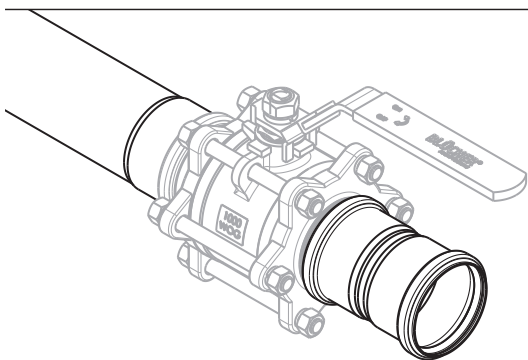
Type 841

Type 842



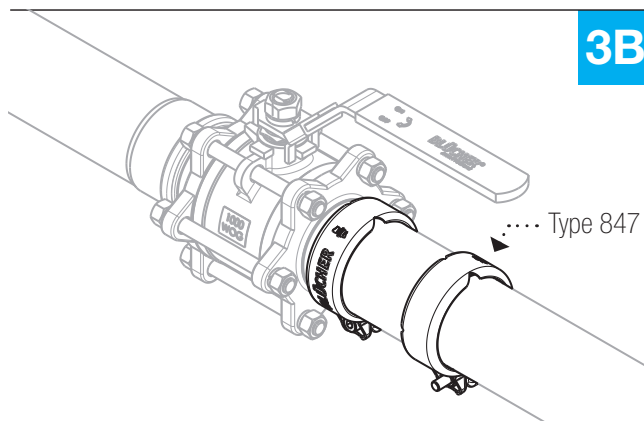
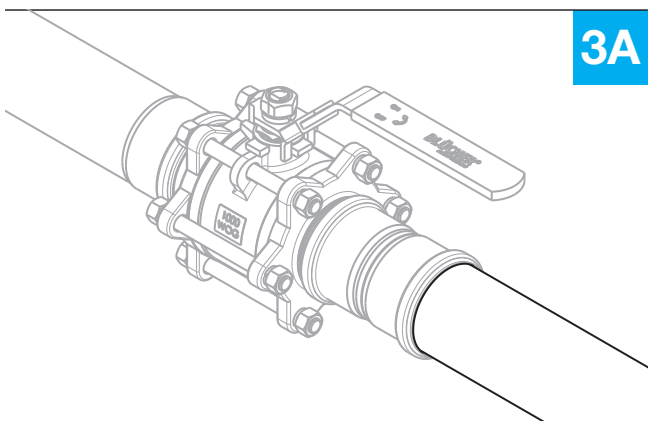
2A

2B



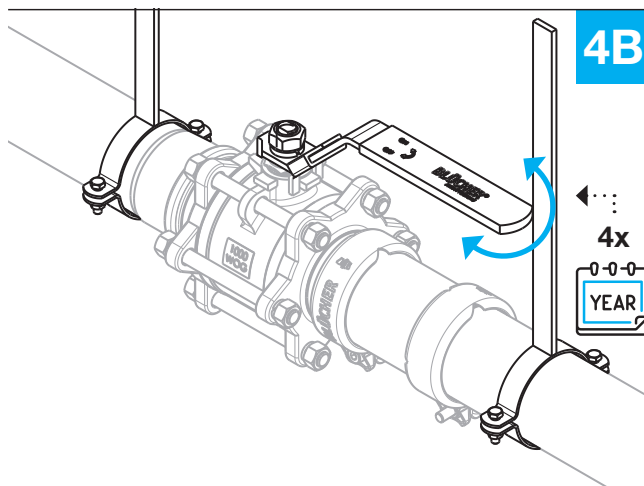
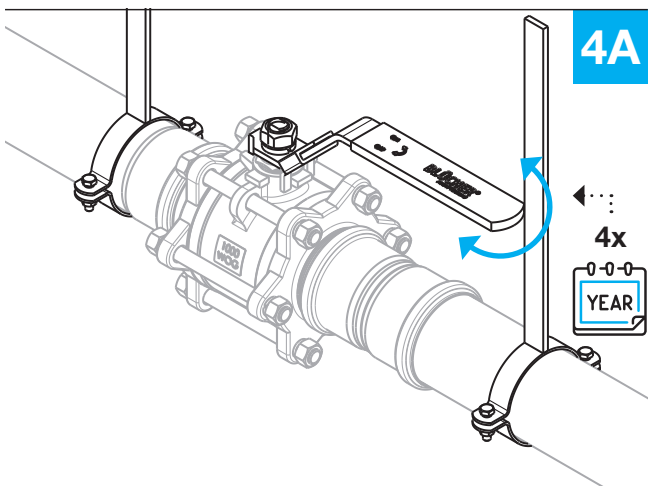
3A

3B

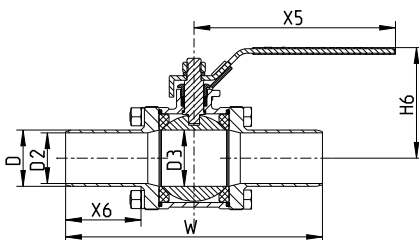


4A

4B



Type no.	D	D2	D3	W	X5	X6	H6	KG
876.040.040 S	Ø40	Ø37	Ø40	197	185	56	90	2,49
876.050.050 S	Ø50	Ø45	Ø50	228	185	67	98	3,69
876.065.075 S	Ø75	Ø69	Ø65	250	260	66	138	7,18
876.080.075 S	Ø75	Ø69	Ø80	268	252	66	163	11,19
876.100.110 S	Ø110	Ø100	Ø100	308	295	75	116	19,25



**BLÜCHER**<sup>®</sup>

A WATTS Brand

Tel.: +45 99 92 08 00 · www.blucher.com