

Specification Sheet

820.045.075 S BEND 45°

-Diameter: Ø75mm
-Stainless steel: AISI316L/EN1.4404

Product Codes

EAN: 5705499401332
VVS Number: 160205375
RSK Number: 1550290
NRF Number: 2170755
LVI Number: 0250683

Specification

Angle (°): 45
Material: AISI 316L
Material (EN): EN 1.4404
Outlet Diameter (mm): 75
Type: Bends
Weight (kg): 0,30

Approvals

FR - DTA 14.1/12-1811*V2 EuroPipe

CSTB



US - IAPMO File No.3247-19

C



NO - 0692-22



AUS - WMKT00204 - 22C



DK - VA 2.12/19349-22

MARINE - R4547 NATO CODIFICATION SYSTEM

Lloyds Register 92-00041 (E7)

ABS - 18-LD1716353-PDA

DNVGL - TAP0000023-rev2

PL - Hygienic Certificate - All products

RINA -MAC285119XG EuroPipe

KR - Type Approval CPH42135-PE001

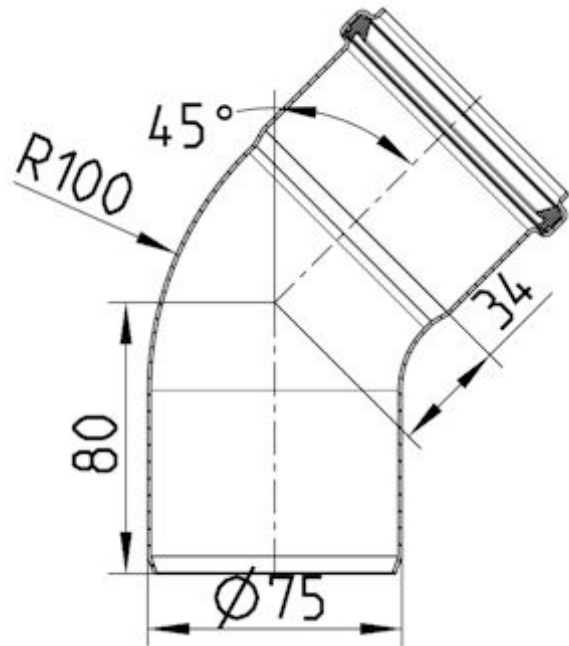
Achilles Certificate - 25316-21

RU - 0212322 Pipes-21

RS - 22.10018.262

Bureau Veritas, 02375-I0

UR - 1055745



BLÜCHER®