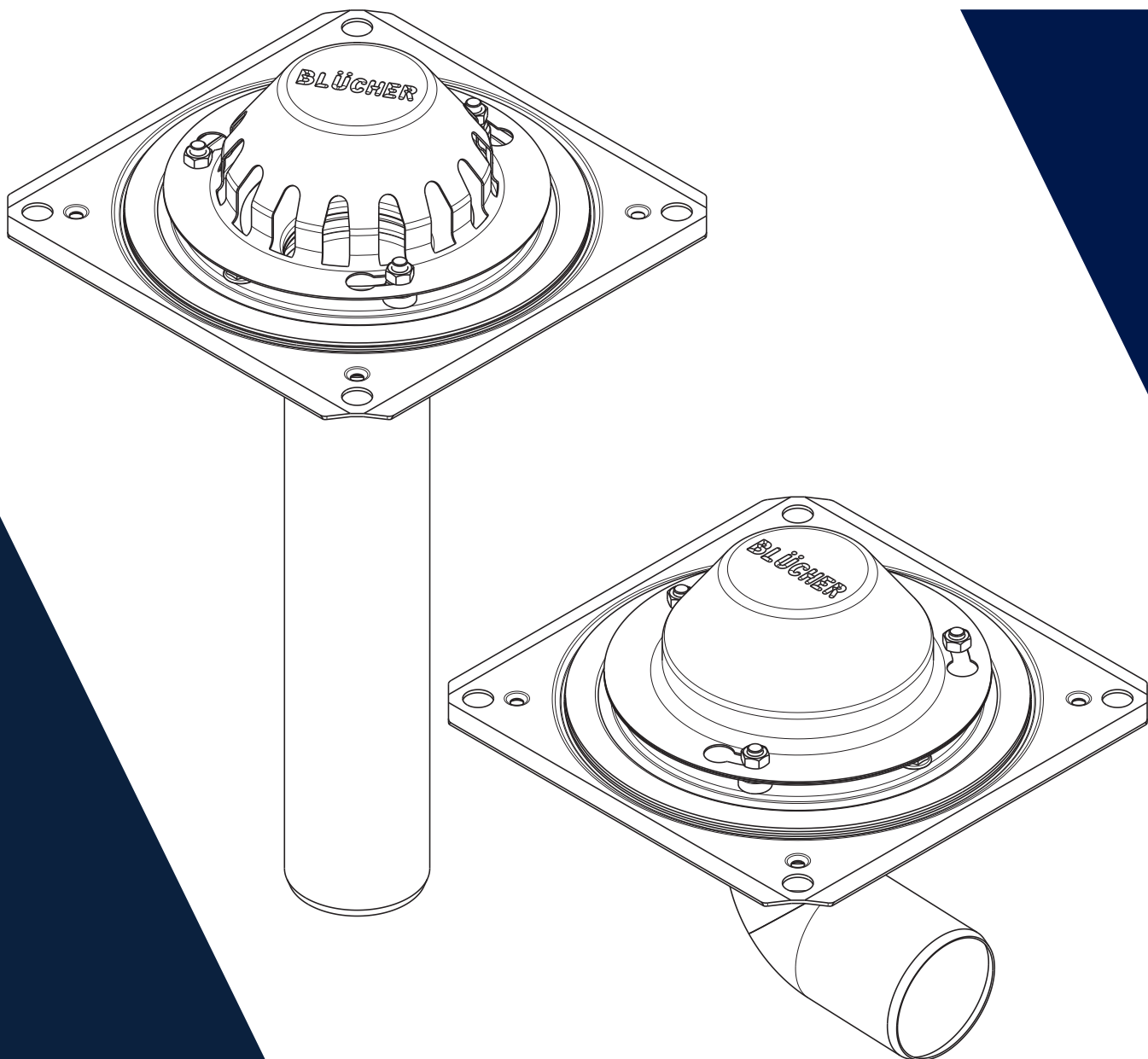


INSTALLATION INSTRUCTIONS

BLÜCHER® Roof Drain

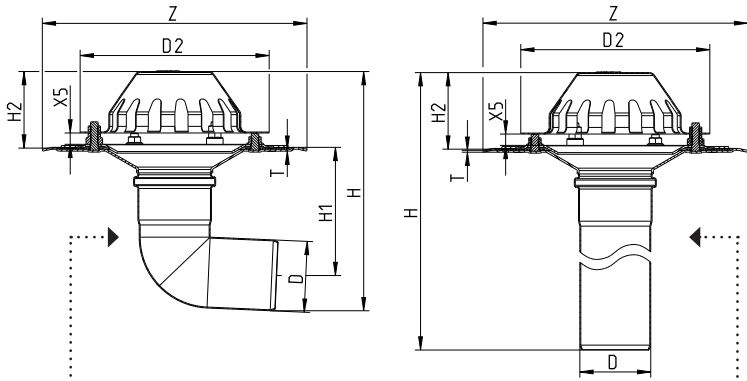
For Single Ply Membrane (402.x0x.xxx)



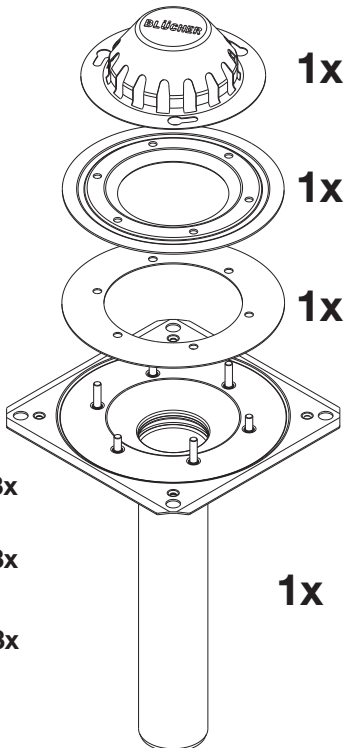
BLÜCHER®

A WATTS Brand

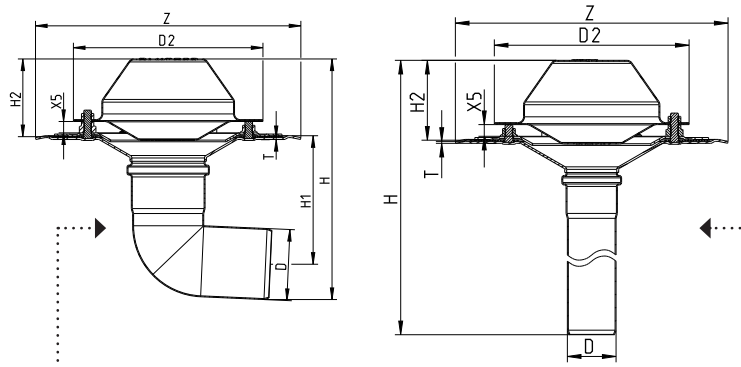
GRAVITY



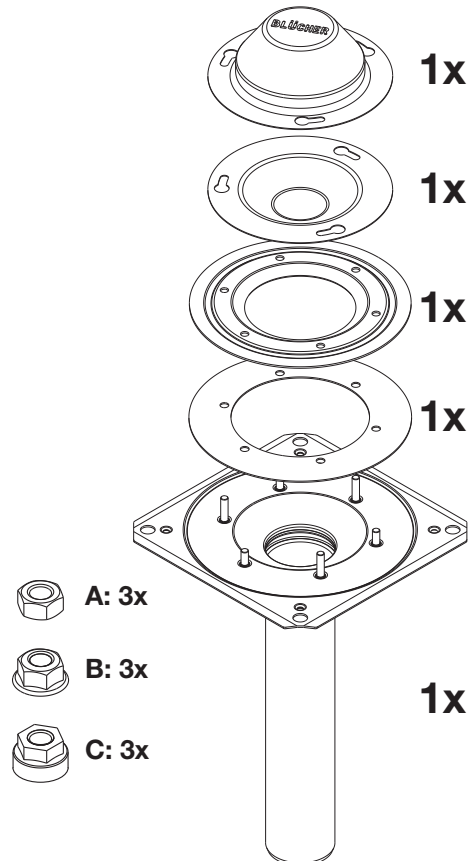
Type no.	D	D2	H	H1	H2	Z	X5	T
402.100.050	50	Ø200	226	121	81	280	12	2
402.100.075	75	Ø200	253	136	81	280	12	2
402.100.110	110	Ø200	288	154	81	280	12	2
402.104.050	50	Ø200	500	-	81	280	12	2
402.104.075	75	Ø200	500	-	81	280	12	2
402.104.110	110	Ø200	500	-	81	280	12	2
402.106.050	50	Ø200	700	-	81	280	12	2
402.106.075	75	Ø200	700	-	81	280	12	2
402.106.110	110	Ø200	700	-	81	280	12	2



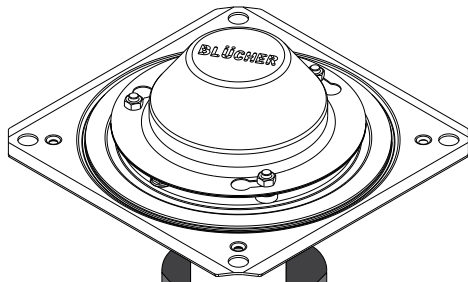
SIPHONIC



Type no.	D	D2	H	H1	H2	Z	X5	T
402.200.040	40	Ø200	214	115	82	280	12	2
402.200.055	50	Ø200	226	121	82	280	12	2
402.200.075	75	Ø200	253	136	82	280	12	2
402.200.110	110	Ø310	289	154	83	280	12	2
402.204.040	40	Ø200	501	-	82	280	12	2
402.204.050	50	Ø200	501	-	82	280	12	2
402.204.075	75	Ø200	501	-	82	280	12	2
402.204.110	110	Ø310	501	-	82	280	12	2
402.206.040	40	Ø200	701	-	82	280	12	2
402.206.050	50	Ø200	701	-	82	280	12	2
402.206.075	75	Ø200	701	-	82	280	12	2
402.206.110	110	Ø310	701	-	82	280	12	2



1



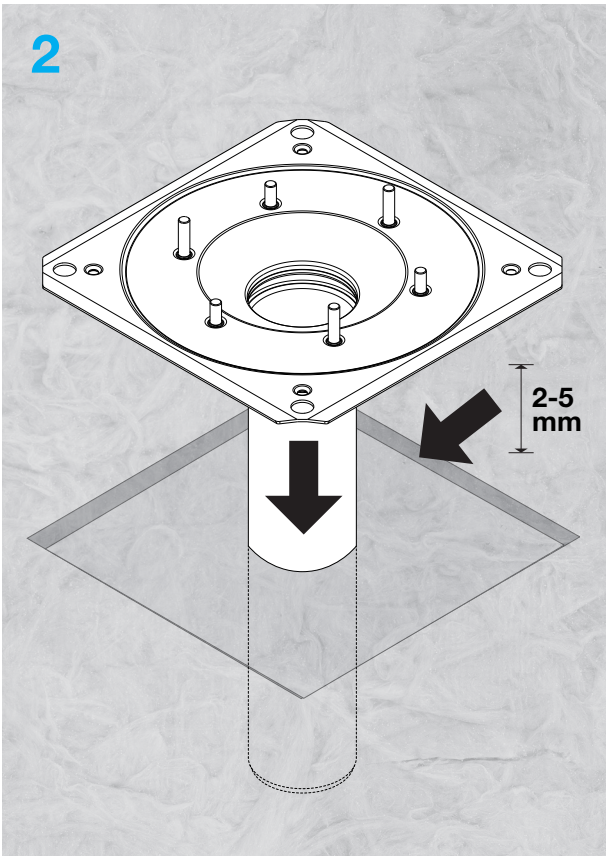
OPTIONAL:

400.001.XXX
INSULATION

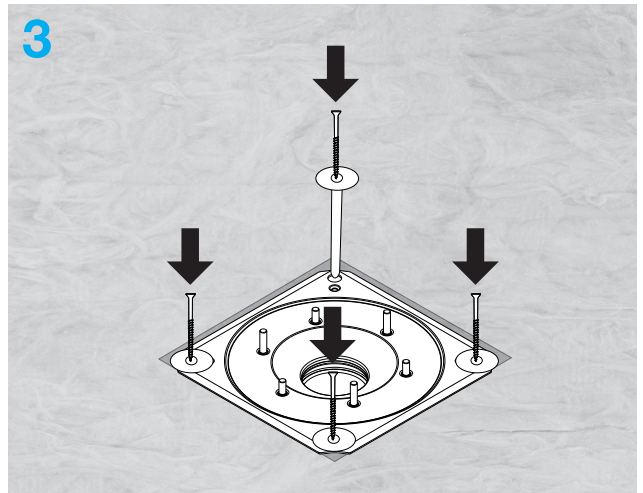


400.000.000
ELECTRICAL HEATING CABLE

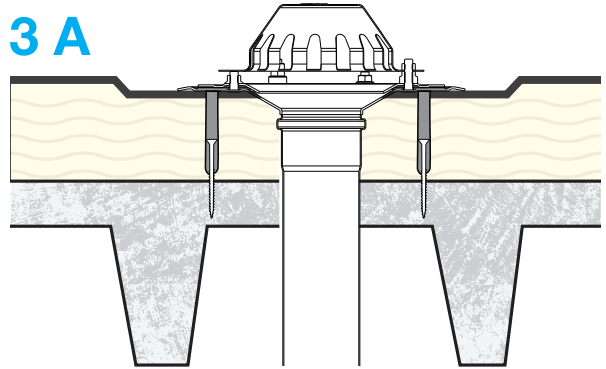
2



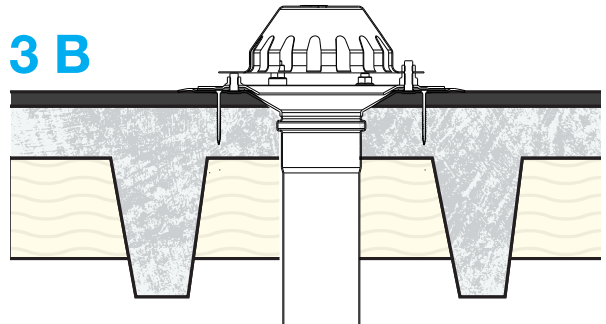
3



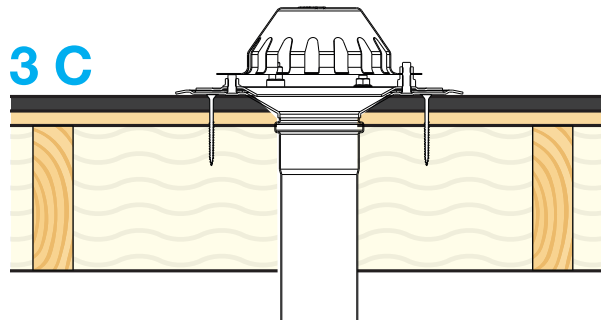
3 A



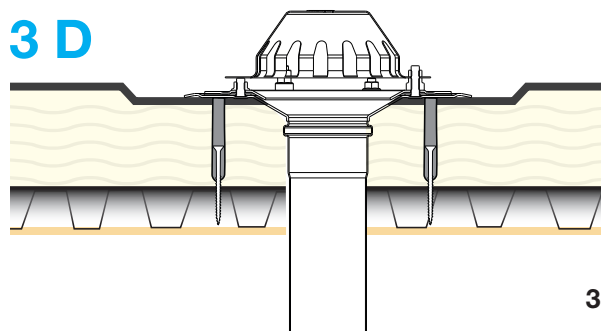
3 B



3 C

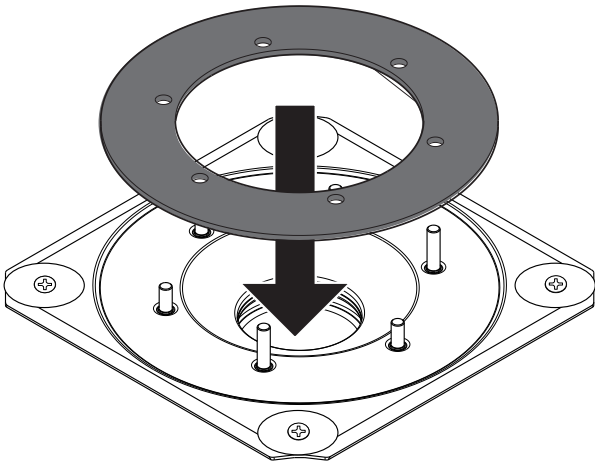


3 D

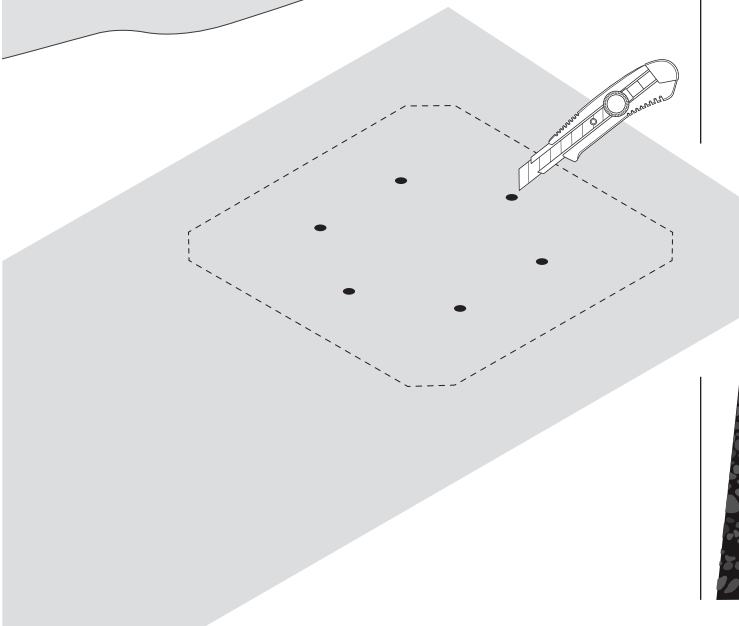
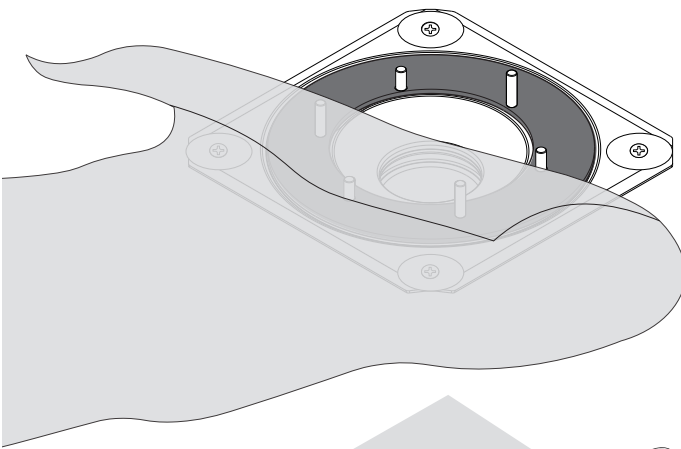


SINGLE PLY MEMBRANE

4 A

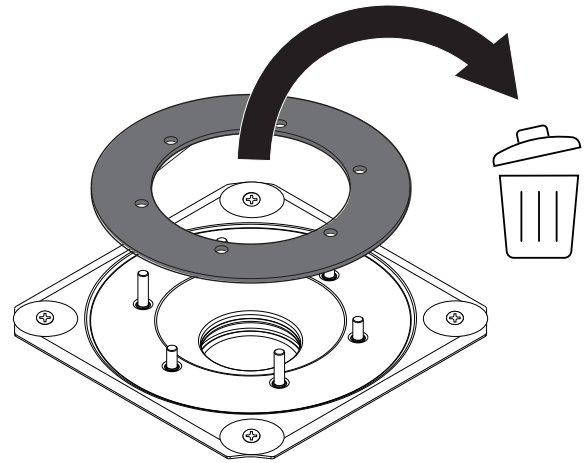


4 B

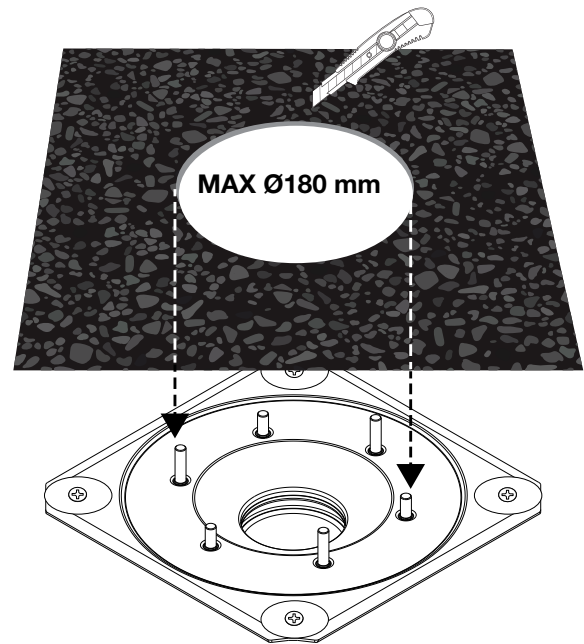


BITUMEN

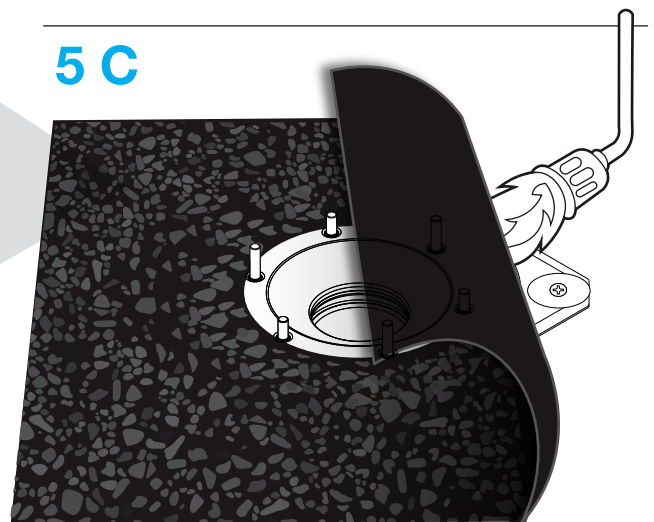
5 A



5 B

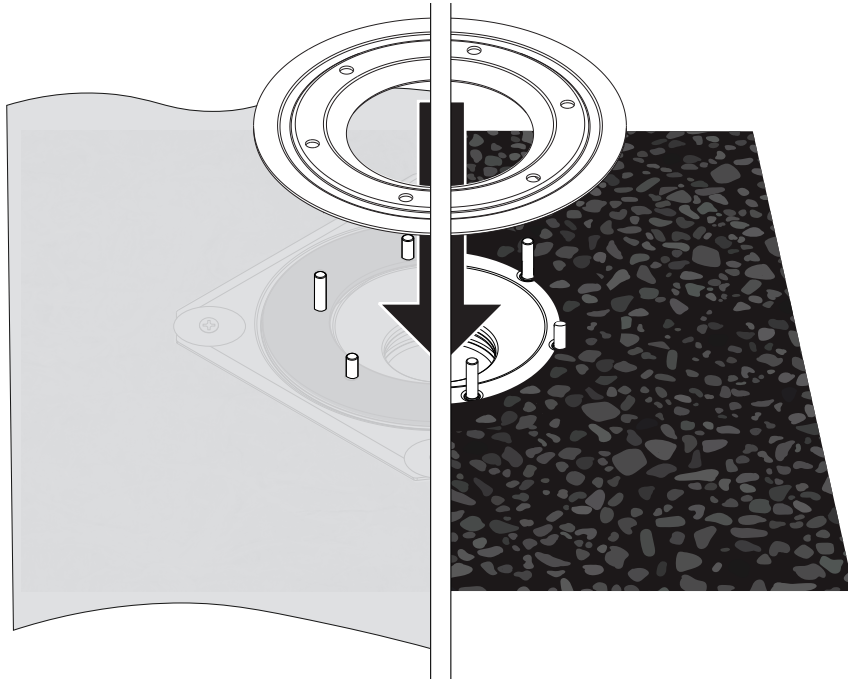


5 C





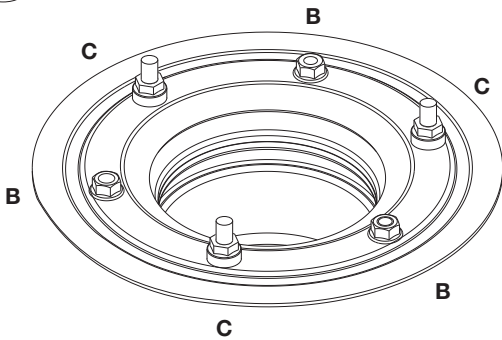
SINGLE PLY MEMBRANE / BITUMEN

6

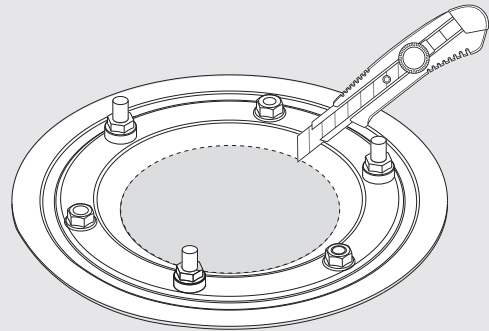


7

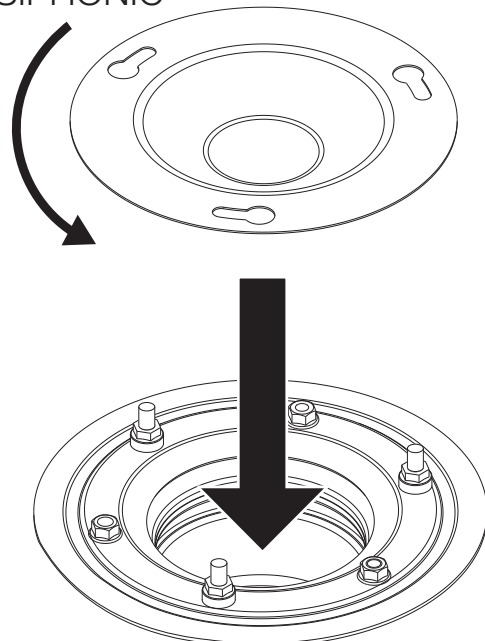
-  B: 3x
 -  C: 3x
- } 12 Nm



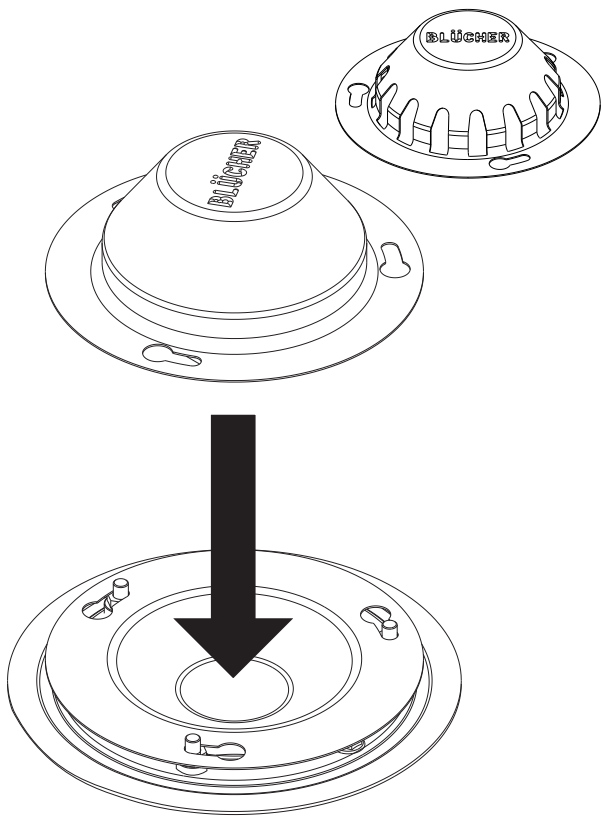
8 SINGLE PLY MEMBRANE



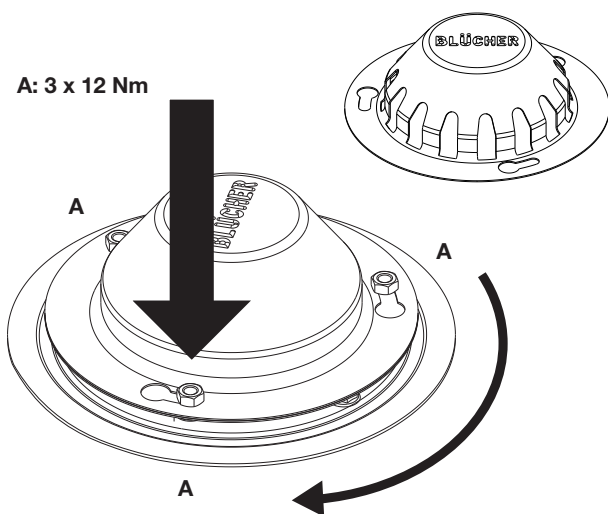
9 SIPHONIC



10 SIPHONIC OR GRAVITY



11 SIPHONIC OR GRAVITY





A WATTS Brand

Tel.: +45 99 92 08 00 · roof@blucher.com · www.blucher.com

© 2023 www.blucher.com